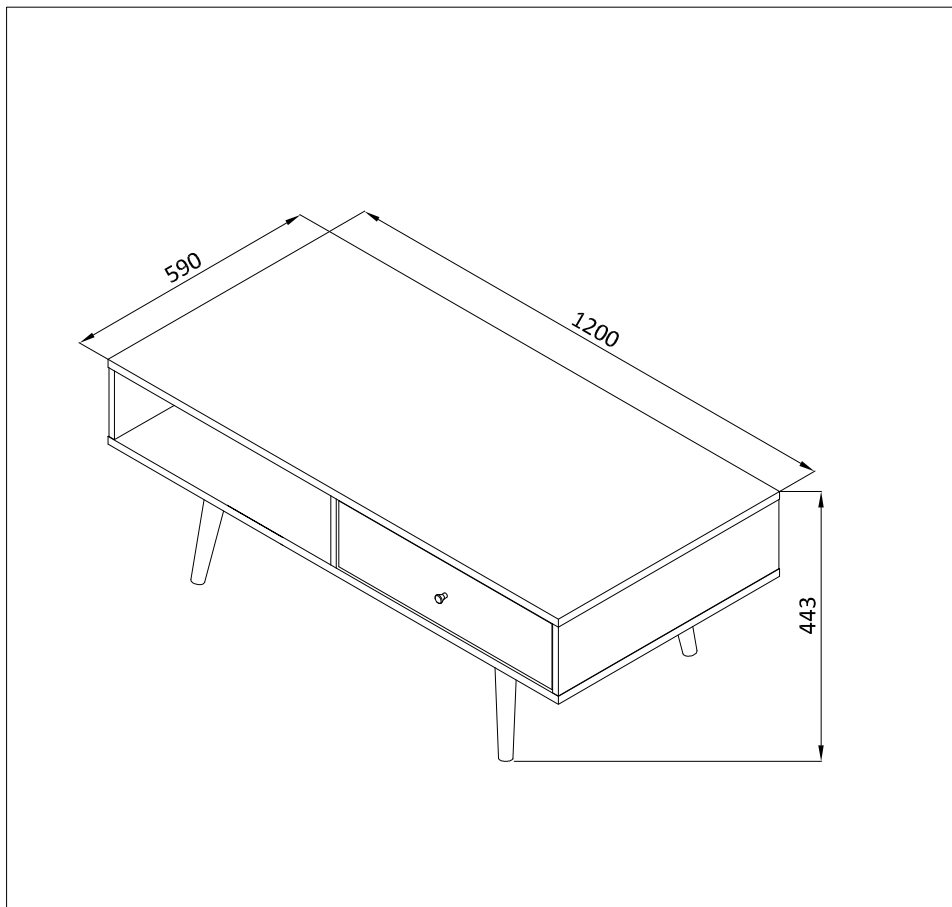




ASSEMBLY INSTRUCTION
ALIDA COFFEE TABLE
ITEM CODE 55206

Imported by Amart Furniture Pty Ltd, Qld, Brisbane Australia.
For any assistance with assembly or for missing parts please phone
Amart Furniture, Customer Service Free call 1800 351 084

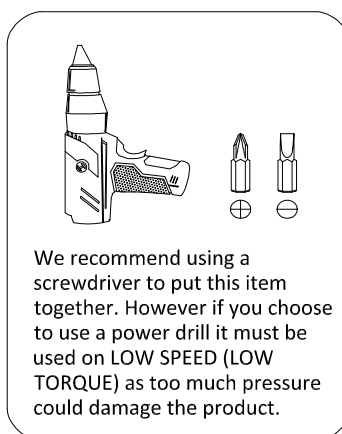
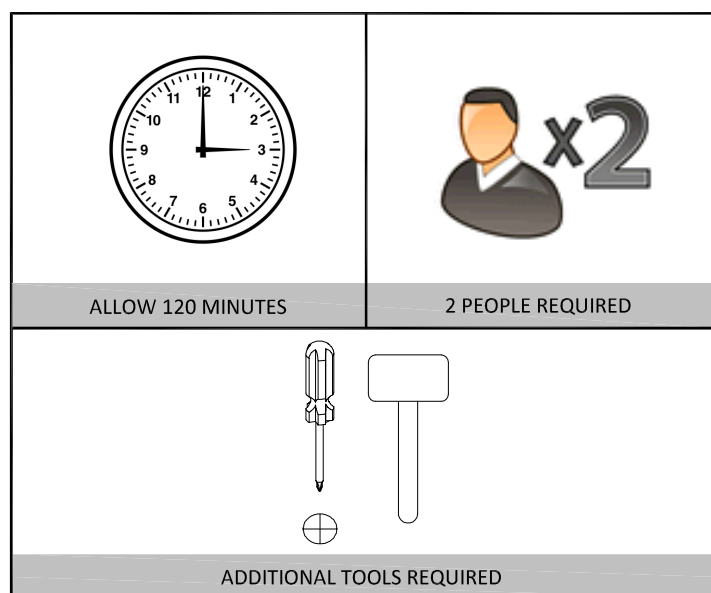


Imported by Amart Furniture Pty Ltd, Qld, Brisbane Australia
For any assistant with assembly or for missing parts please phone
Amart Furniture, Customer Service Free call 1800 351 084

PRE- ASSEMBLY PREPARATION

Before you start:

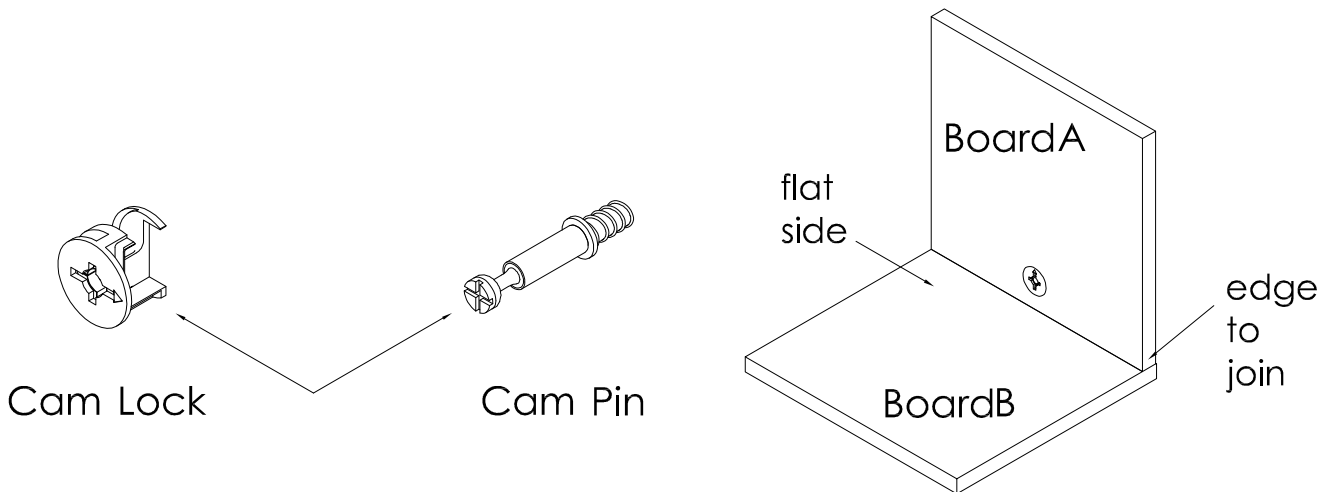
1. Choose a clean, level, spacious assembly area. Avoid hard surfaces that may damage the product.
2. Take care when lifting. Product should be assembled as near as possible to the point of use.
3. Ensure that you have all required contents for complete assembly.
4. Always read the assembly instructions carefully before beginning assembly.
5. Keep all hardware parts and packaging out of reach of small children.
6. Do not over tighten the screws and bolts as this may damage the threads.



HOW TO USE CAM LOCK FASTENERS

To assemble this product hardware called Cam Lock Fasteners are used. The below is information on how these work.

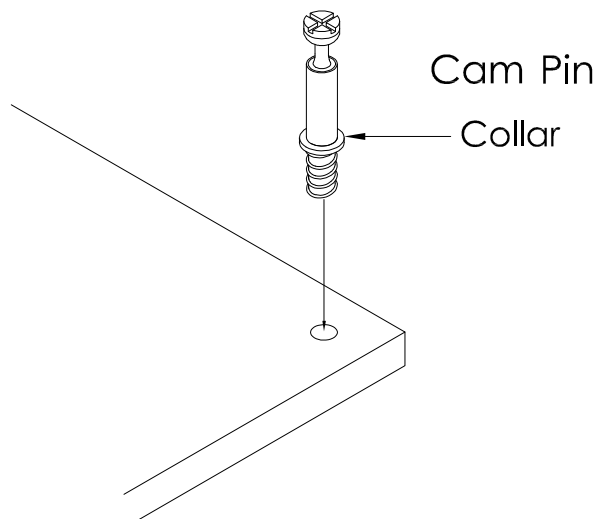
Cam Locks are fasteners used to join two boards together, usually the edge of one board (A) to the flat side of another board (B).



To use Cam Lock Fasteners

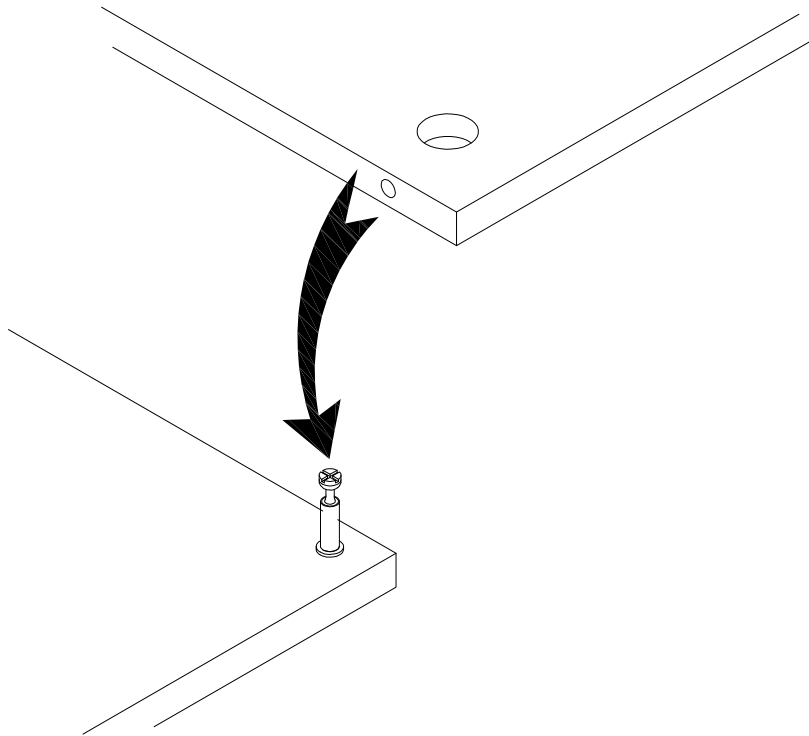
The Cam Pin is inserted into the flat side of a board, it is important that:

- . The cam pin is kept vertical and is not put in on an angle.
- . Cam Pin is inserted up to the collar.
 - . Too far and it wont catch the Cam Lock (**Do not Over Tighten**).
 - . Not enough and the resulting product wont be stable.



To use Cam Lock Fasteners

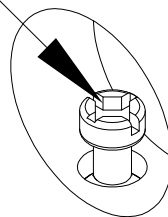
Now fit the hole in the edge of the joining board over the Cam Pin.



To use Cam Lock Fasteners

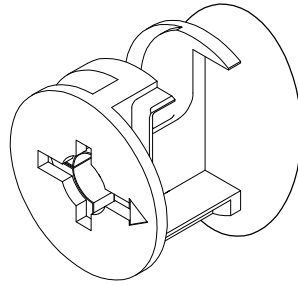
The Head of the Cam Pin will be visible in the large hole on the side of the joining board.

head of the Cam Pin



To use Cam Lock Fasteners

Notice the Cam Lock has a "C" Shaped back.
An Arrow or +/- signs on the front, indicated
the open section on the back of the Cam Pin.

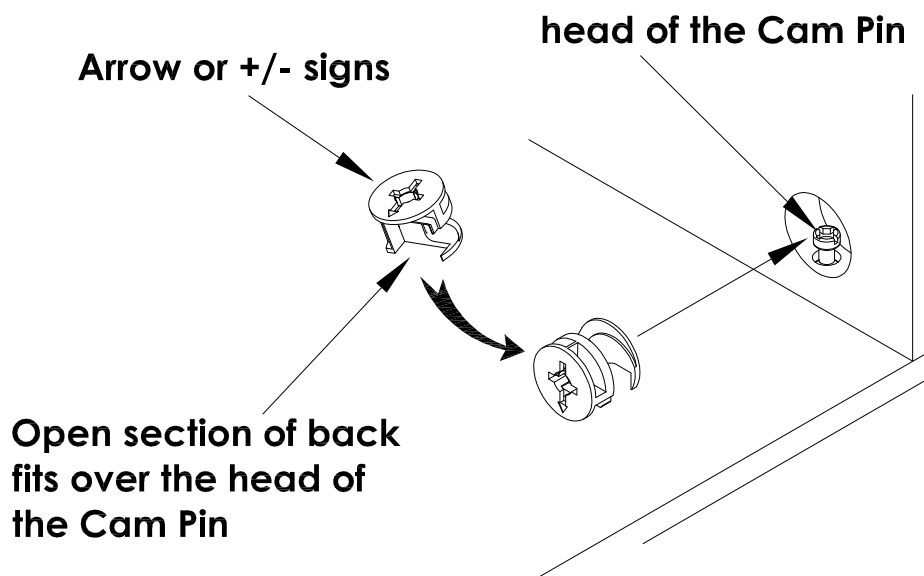


Cam Lock

To use Cam Lock Fasteners

Insert the Cam Lock into the large hole so the opening of the "C"
fits over the head of the Cam Pin.

You must ensure that the Cam Lock is pushed to the bottom of
the hole to catch the top of the Cam Pin.

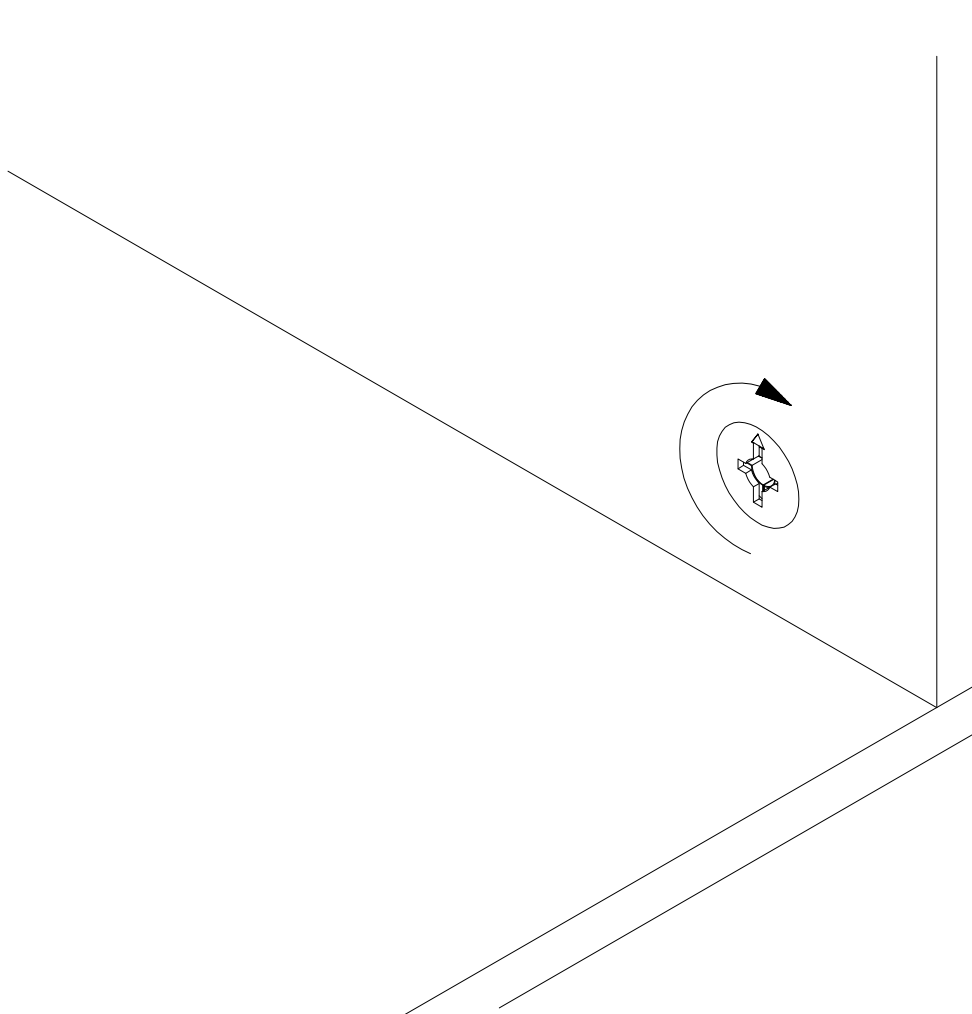


To use Cam Lock Fasteners

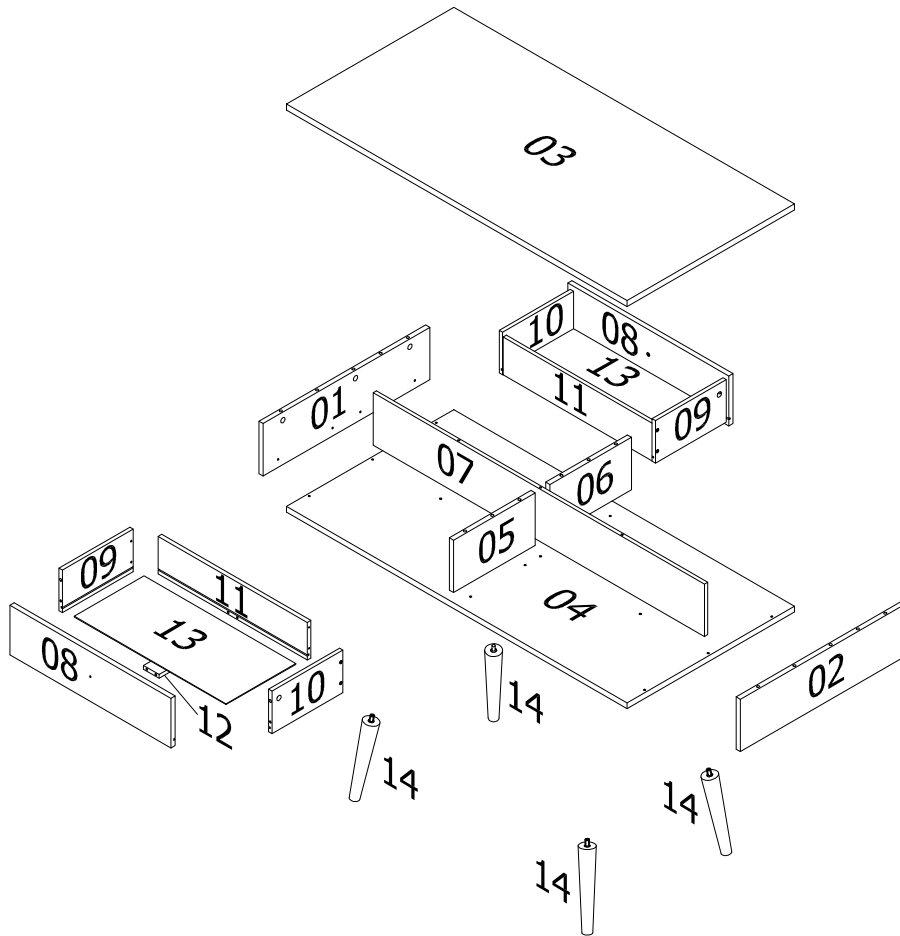
Use a flat screw driver to turn the Cam Lock clockwise one half a turn so it locks onto the head of the Cam Pin.

Turn only until it is snug- over- tightening could cause the Cam to bend or break.

If it will not turn the full amount, turn the Cam Pin out (counter-clockwise) one full turn, and try the Cam Lock again.




PARTS LIST

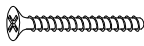


01	SIDE PANEL (LEFT)	X1	08	DRAWER FRONT	X2
02	SIDE PANEL (RIGHT)	X1	09	DRAWER SIDE (LEFT)	X2
03	TOP PANEL	X1	10	DRAWER SIDE (RIGHT)	X2
04	BOTTOM PANEL	X1	11	DRAWER BACK	X2
05	CENTER SUPPORT (FRONT)	X1	12	DRAWER SUPPORT	X2
06	CENTER SUPPORT (BACK)	X1	13	DRAWER BOTTOM	X2
07	CENTER PANEL	X1	14	WOODEN LEG	X4

A X8

 CSK SCREW
 M3.5 X 12

B X8

 CSK SCREW
 M4.5 X 32

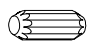
C X10

 SCREW
 M4.7 X 38MM


D X8

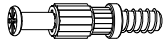
 EURO SCREW
 M6 X 9MM


E X12


 EURO SCREW
 M6 X 13MM


F X18

 WOOD DOWEL
 Ø6 X 20MM

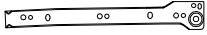
G X8

 WOOD DOWEL
 Ø8 X 25MM

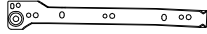
H X12

 9047975 BOLT DOWEL
 DU319 20X5MM


J X8

 9064684 CAM 15/15


K X4

 9116018 CAM 15/12

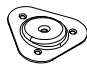
L X2

 PLASTIC KNOB HANDLE
 (1PC) WITH SCREW
 (M3.5X25MM)=(1PC)

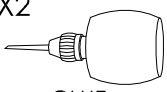
M X2

 DRAWER SLIDE CR
 (250MM)

M2 X2

 DRAWER SLIDE CL
 (250MM)

N X2

 DRAWER SLIDE DR
 (250MM)

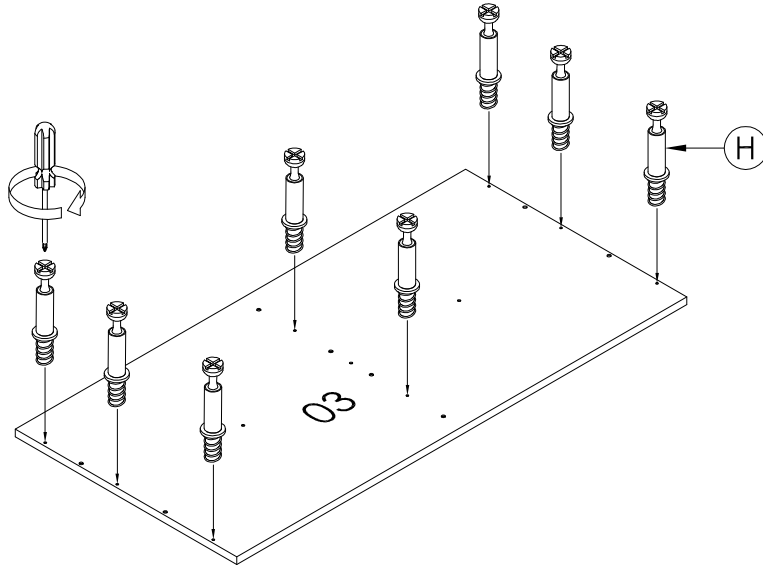
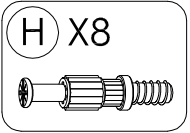
N2 X2

 DRAWER SLIDE DL
 (250MM)

P X4

 METAL 10° BRACKET
 (2 X 92 X 92MM)

Q X2

 GLUE

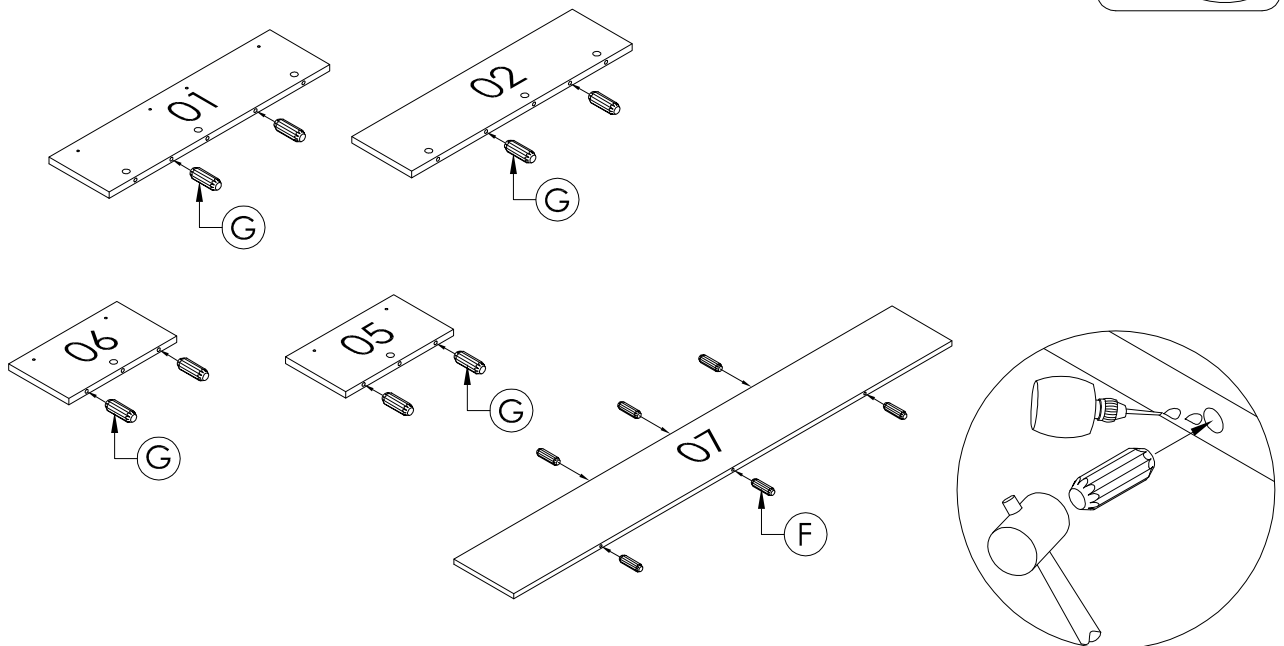
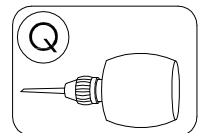
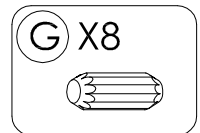
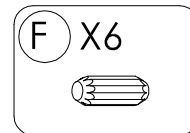
STEP 1:

Attach CAM PINS (H) to back panel (3).



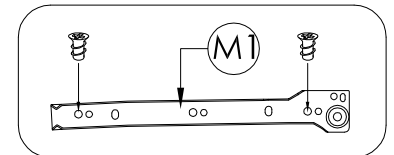
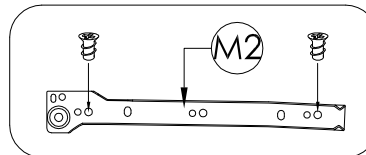
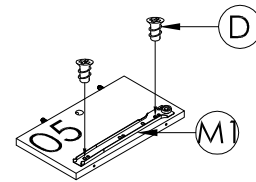
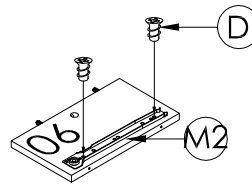
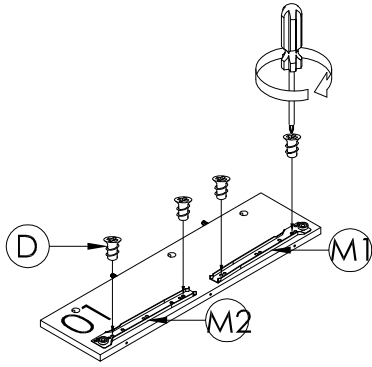
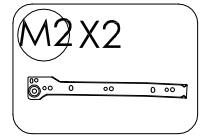
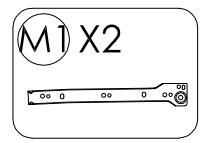
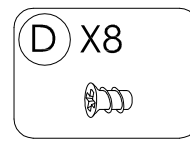
STEP 2:

Using glue (Q) insert dower (F&G) into pieces (1,2,5,6&7) as shown.



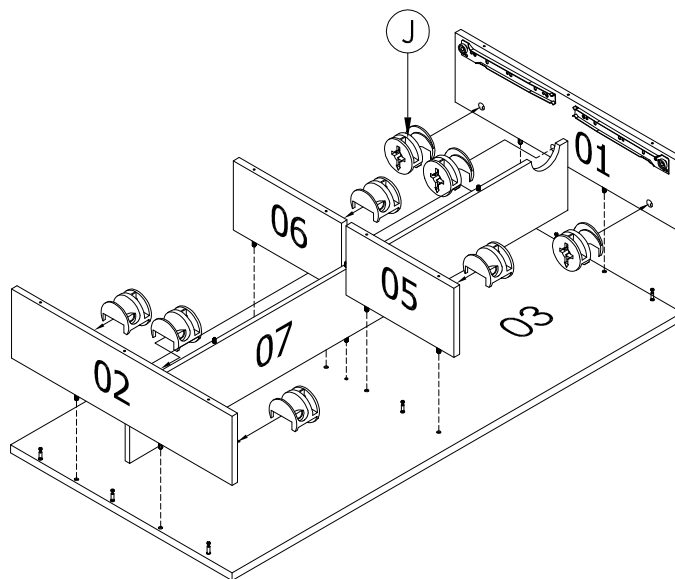
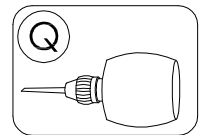
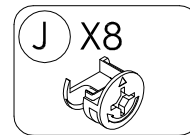
STEP 3:

Take both side panel and center support (1,5&6),using a drill on low speed/ torque or a Philips head screw driver attach drawer slide with screw (D) as shown.



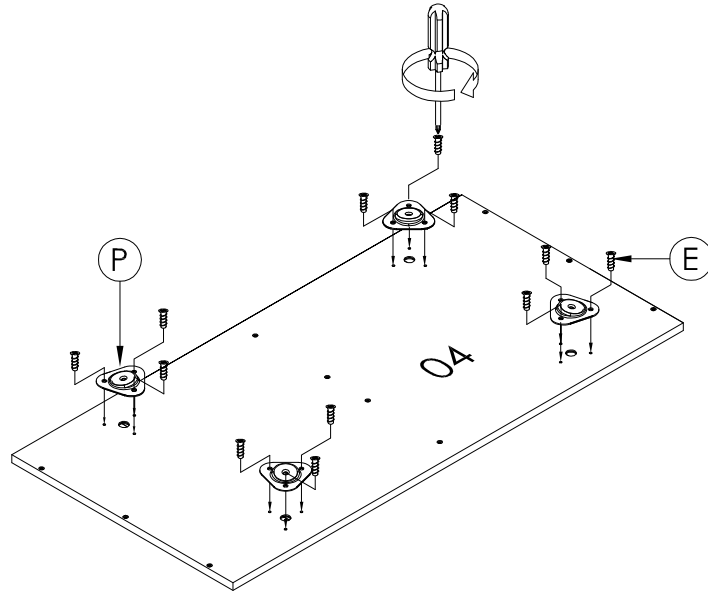
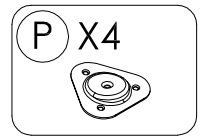
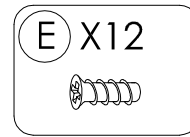
STEP 4:

Using glue (Q) attach top panel (3) to side panel,center panel and center support (1,2,5,6&7)
Fasten into place using CAM LOCK (J) as shown.



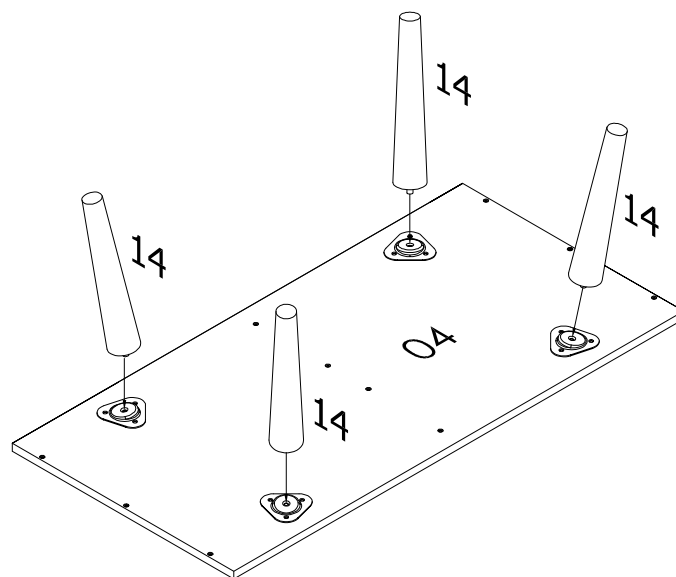
STEP 5:

Attach the METAL 10° BRACKET (P) to the base of the bottom panel (4) with the screw (E) provided.



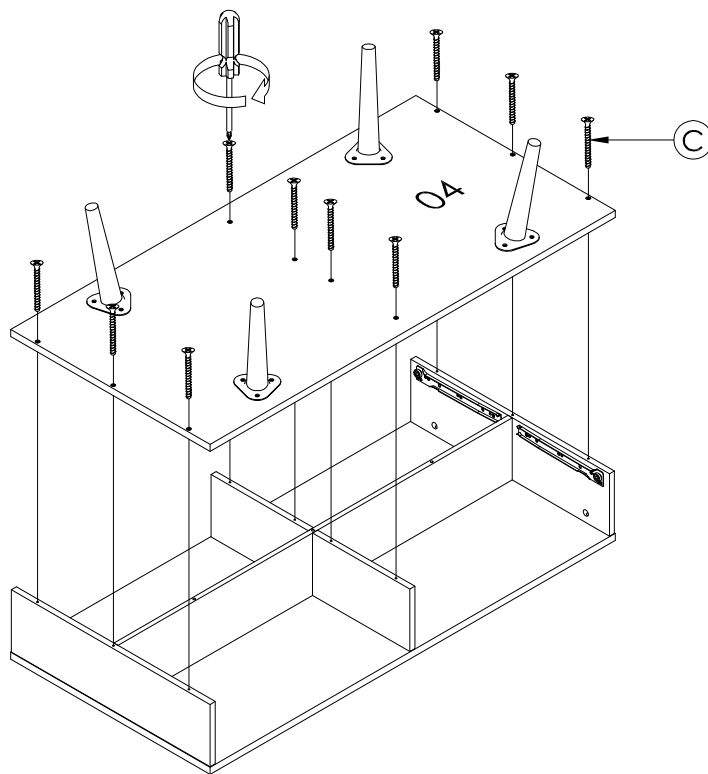
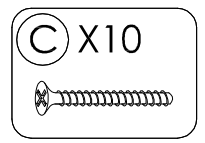
STEP 6:

Attach wooden leg (14) to the base of the bottom panel (4).

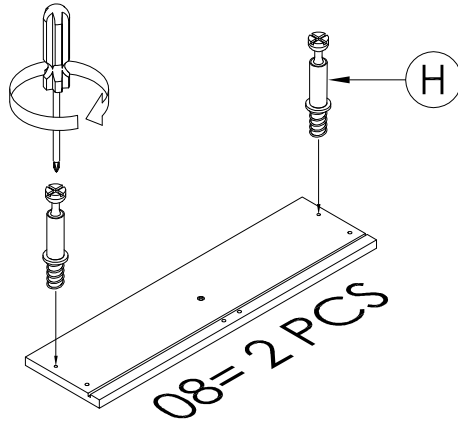
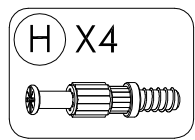


STEP 7:

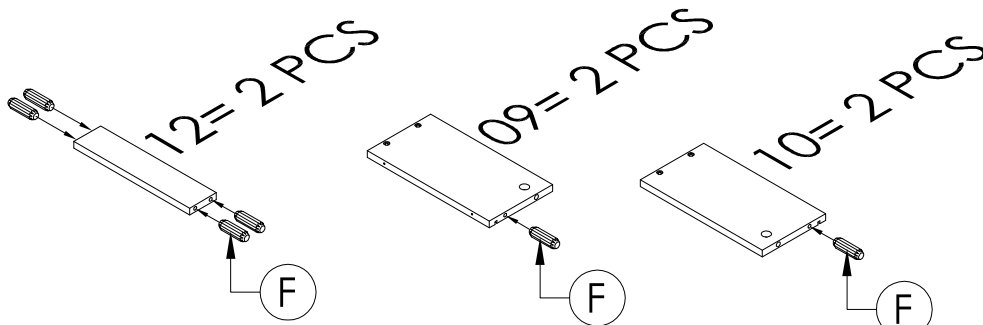
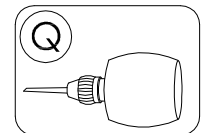
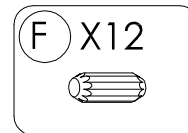
Attach bottom panel (4) to side panel, center panel and center support (1,2,5&6) using screw (C).



STEP 9:
Attach CAM PINS (H) to drawer front (8).



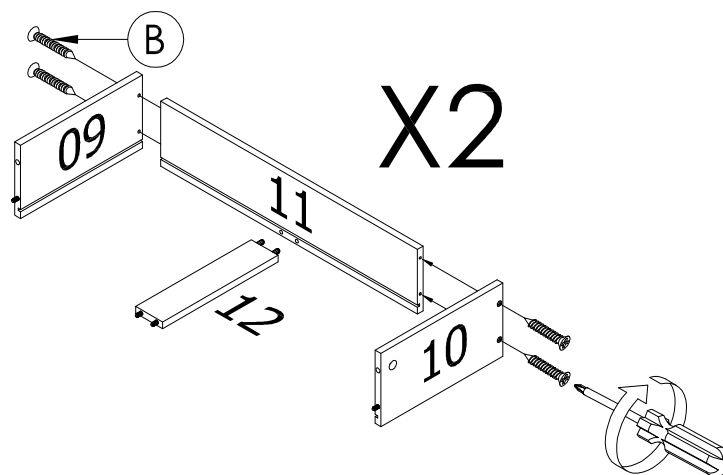
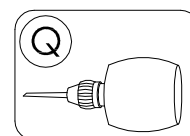
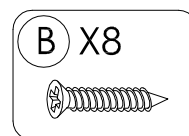
STEP 10:
Using glue (Q) insert dowel (F) into pieces (9,10&12) as shown.



STEP 11:

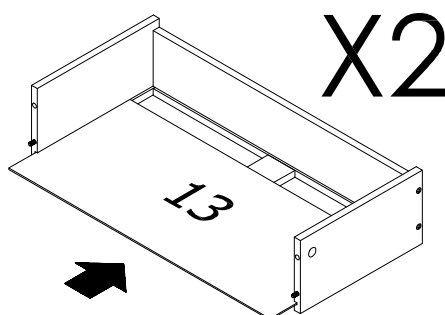
Attach drawer side (9&10) to drawer back (11) using screw (B).

Using glue (Q) attach drawer support (12) to drawer back (11).



STEP 12:

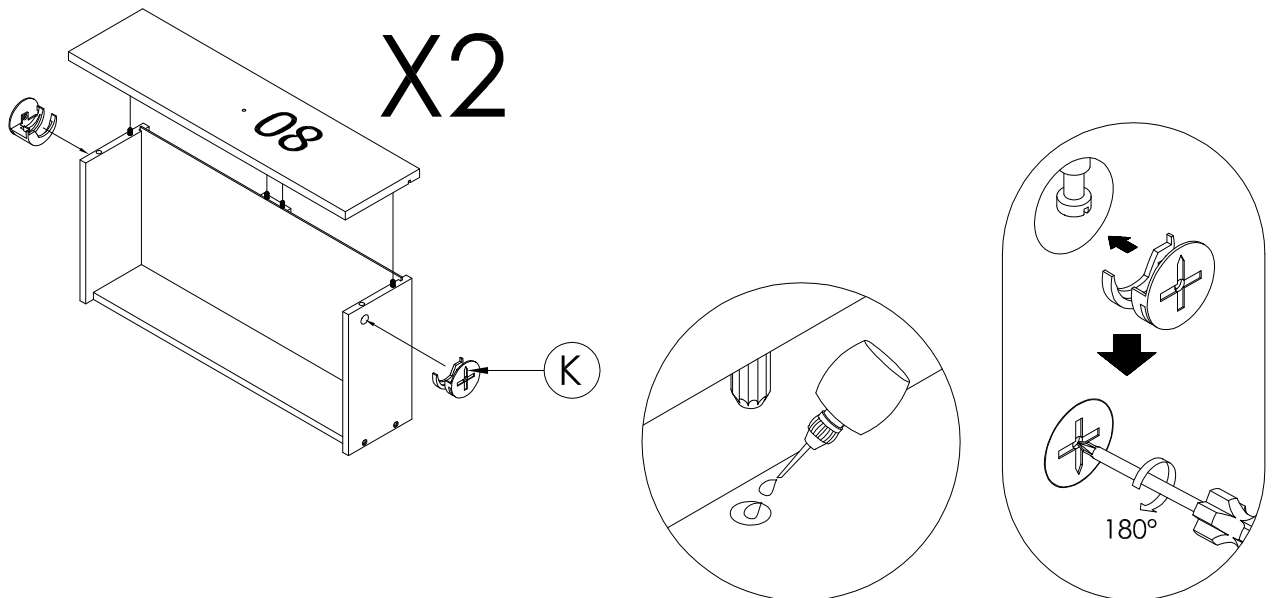
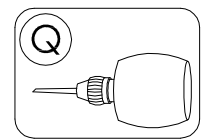
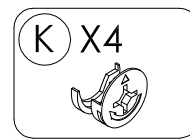
Slot the drawer bottom (13) into the drawer body.



STEP 13:

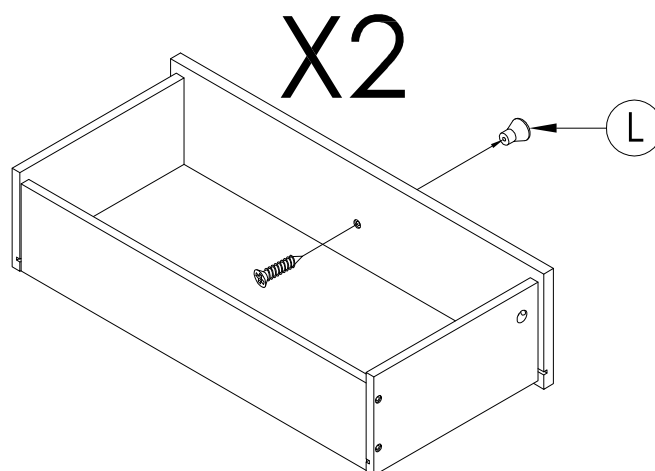
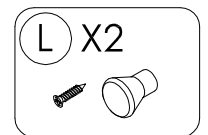
Using glue (Q) attach drawer front (8) to drawer side (9&10).

Fasten into place using CAM LOCK (K) as shown.



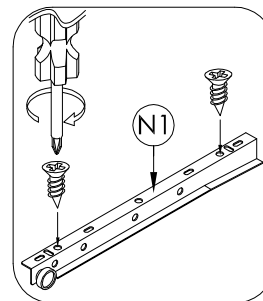
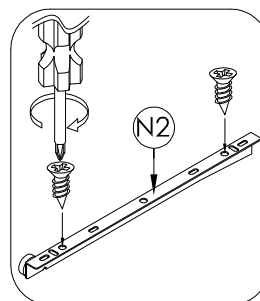
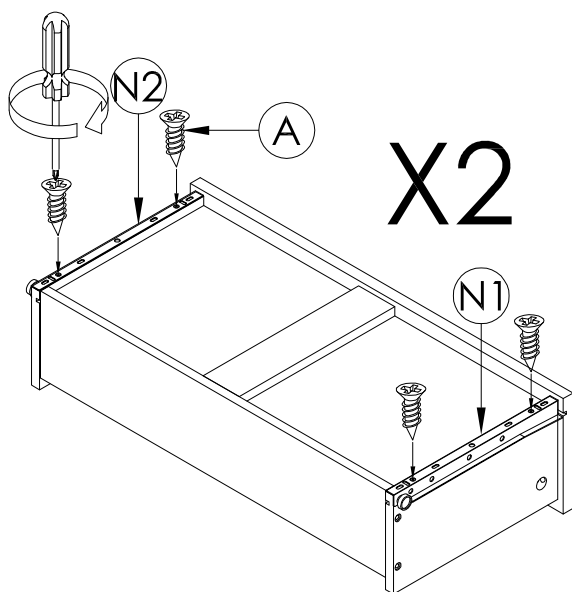
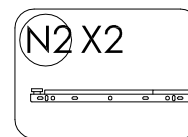
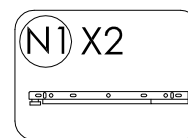
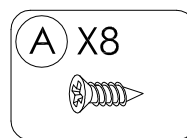
STEP 14:

Affix the handles (L) to the drawer front (8) with the 25mm screw.



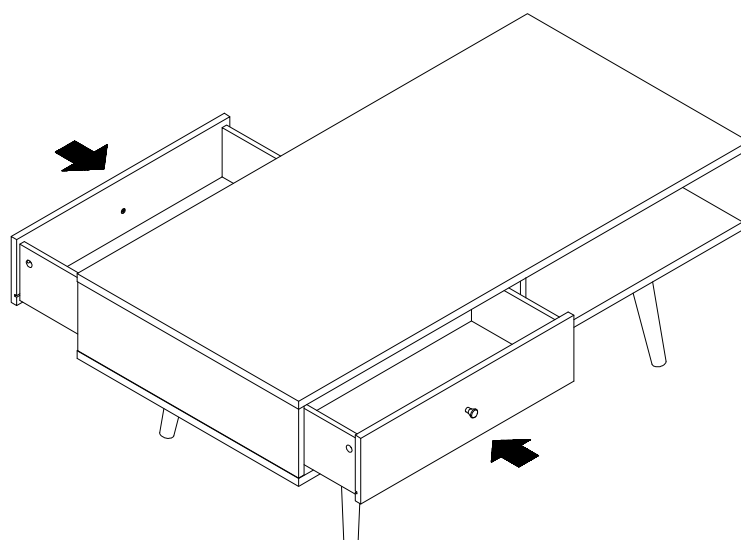
STEP 15:

Attach the drawer glide inserts (N1&N2) to the base of the drawer side (9&10) with the 12mm screw (A) as shown.

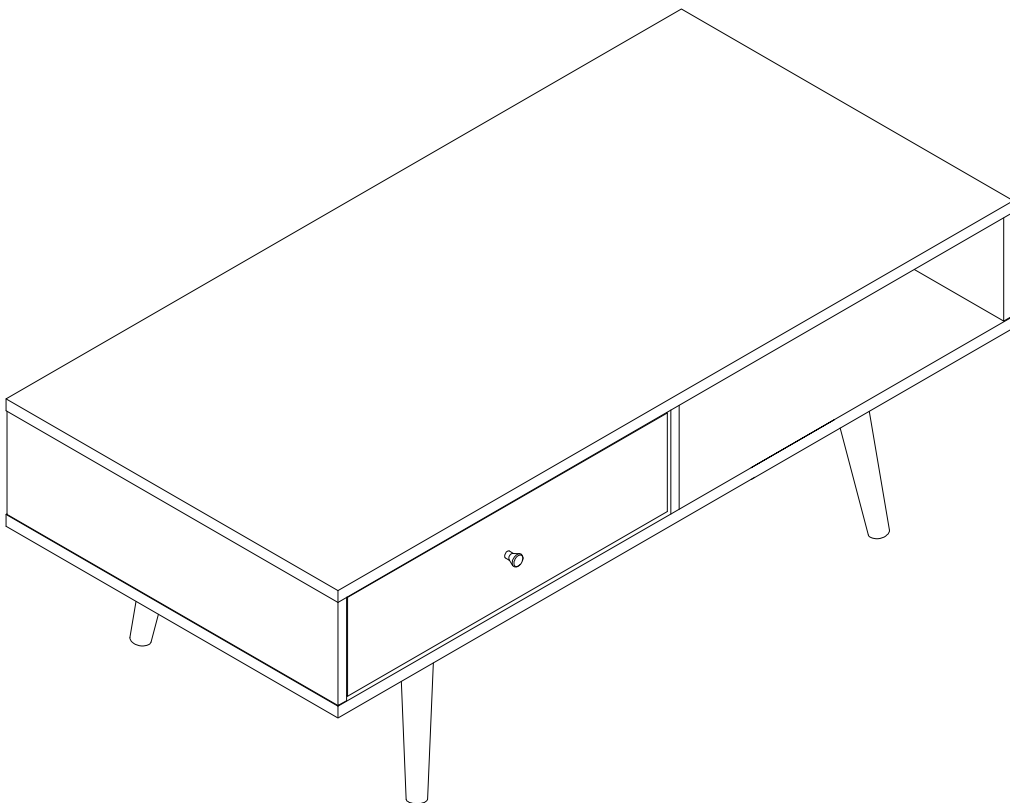


STEP 16:

Affix the drawer to the body.



ASSEMBLY IS COMPLETE



DO NOT PUSH OR DRAG THIS FURNITURE
- IT WILL CAUSE DAMAGE TO THE LEGS.

IMPORTANT: CARE GUIDE FOR YOUR HI-GLOSS FURNITURE

Congratulations! You have just purchased a quality product from Amart Furniture, Australia's largest discount furniture retail store. Please read on for important information regarding your purchase...

Hi-gloss lacquered furniture is more sensitive to marks and scratching than some other furniture products. It is important to exercise caution and care to maximise the life and beauty of this product.

Following the below simple guidelines when using your hi-gloss product will protect your investment for years to come:

- Dust frequently with a clean damp , lint-free cloth. This will help remove abrasive build up which can damage a finish over time.
- Avoid using chemicals or solvents when cleaning the product.
- Do not place hot objects on any furniture surface. Always use a hot plate or placemat. Lacquer finishes provide added scratch and heat resistance to our furniture, but they can still be damaged without proper care.
- Avoid exposing your furniture to strong sunlight. Prolonged exposure to direct sunlight can fade the finish of your furniture.
- Do not expose your furniture to any liquids. Avoid allowing water to sit on your furniture. Alcohol, nail polish and perfume are particularly harmful as they will dissolve the lacquer finish on contact.
- Do not allow plastic to come in direct contact with your furniture. Chemicals in the plastic of some placemats etc may soften and mark the finish if left in contact with the furniture for a period of time.
- Avoid placing sharp or rough objects on the surface of your furniture. These may scratch the surface of the product.
- When moving your furniture, do not drag it across the floor. This may damage the product. Instead use two or more people to lift carefully with caution from either end.

